



STANDARD DETAILS

02-KERBS EDGINGS

DRAWING NUMBER

Drawing

SD 02-005

Revision

F

Drawn by

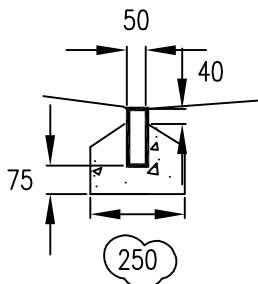
RB

Scale

1:20

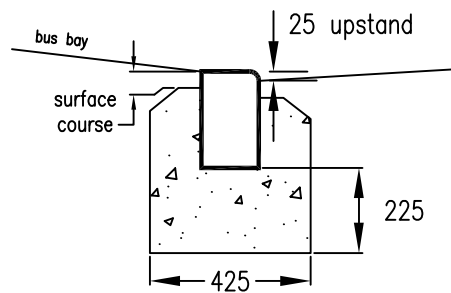
Date Drawn

OCT 2016



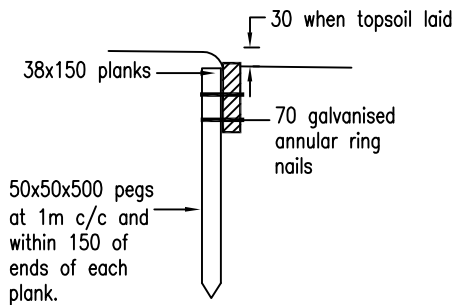
EDGINGS

Edgings BS EN 1340:
Type EF 50x150mm
square top



BUS BAY DEMARCATION KERB

Kerb BS EN 1340: Type BN 125x255mm
(BACK OF VEHICULAR CROSSING SIMILAR)



TIMBER EDGING

All timber treated for 40
year design life